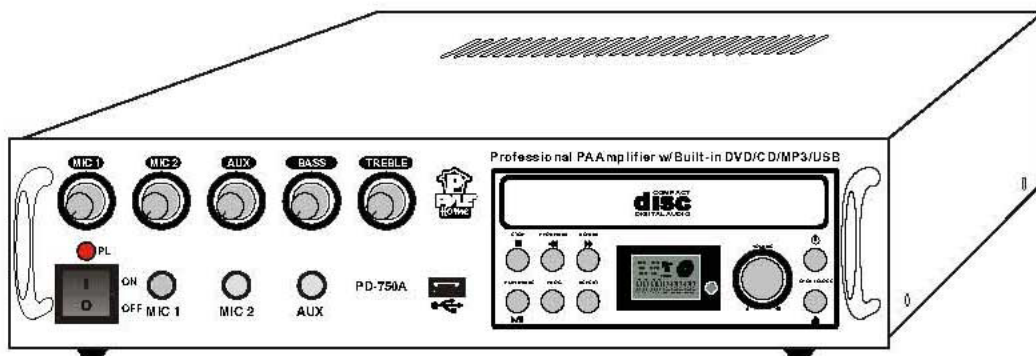




Owners Manual

PD750A



Professional PA Amplifier w/ Built in DVD/CD/MP3/USB & 70v Output

www.pyleaudio.com

Thank you for choosing Pyle products This attractive unit will give you many years of listening pleasure.

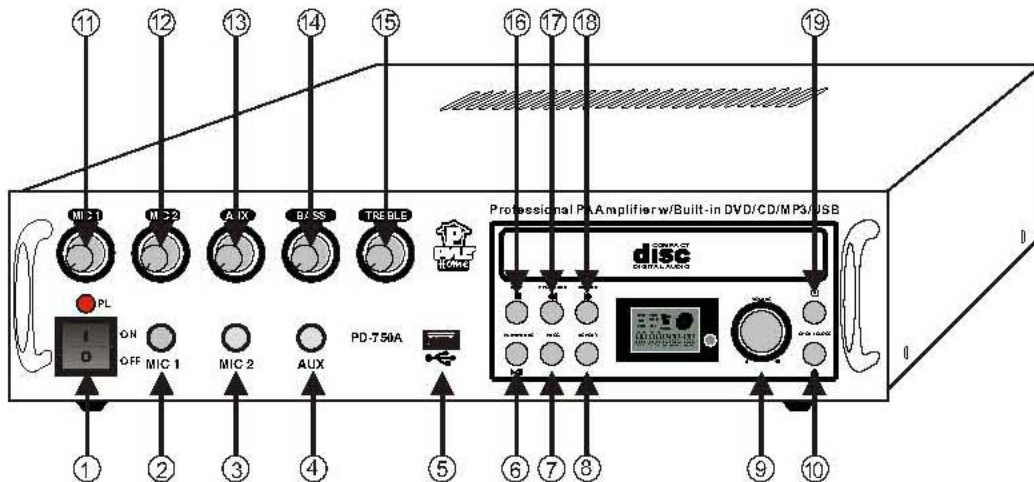
Please read the installation and operation instructions in this manual. and keep it for reference.

SPECIFICATIONS

PD750A

- Professional PA Amplifier
- With USB port, DVD player(Anti-shock)
- Compatibility with DVD, CD, CD-R, CD-RW, MP3
- Output regulation: Less than 2db no load to full load
- Speaker output: 4Ω (20V) 8Ω (28.3V) 16Ω (40V)
- 70V, 100V. line out: 1V±0.3V
- Frequency Response: 20Hz-20KHz
- Harmonic distortion: 1%
- S/N ratio: <75db
- Peak Power: 700 WATTS
- 2 Mic input with volume control
- 1 AUX input with volume control
- DVD/AUX volume control
- Tone control Bass: ±10db at 100Hz Treble: ±10db at 10KHz
- Indicator: LED output level meter
- AC power supply 110-127/220-240 AC 50/60Hz
- DC power supply: 12V battery
- Dimension of Unit: 15.75" x 12.20" x 3.94"

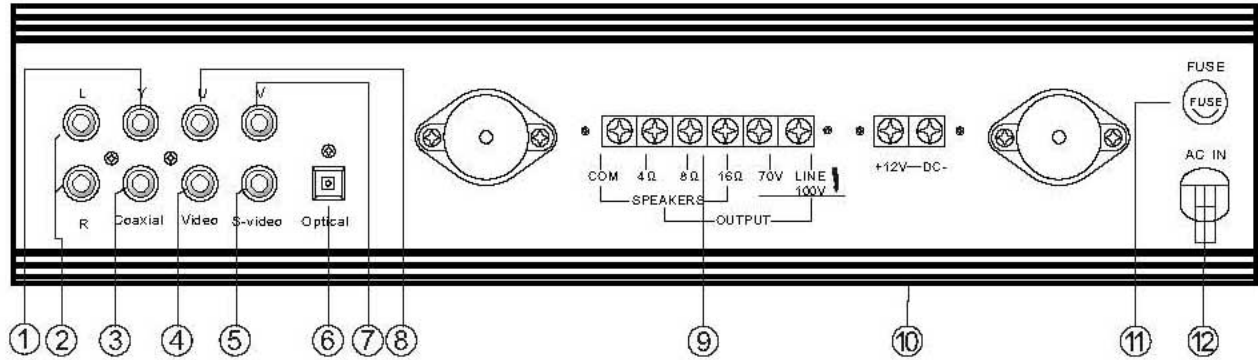
FRONT PANEL



1. Power Switch
2. MIC-1 Phone Jack
3. MIC-2 Phone Jack
4. AUX IN Phone Jack
5. USB Port
6. Play/pause Button
7. Menu
8. Replay
9. Volume Control
10. Open/close Button

11. MIC 1 Volume Control
12. MIC 2 Volume Control
13. AUX Volume Control
14. BASS Volume Control
15. TREBLE Volume Control
16. STOP Button
17. Backward Button
18. Forward Button
19. DVD Power Switch

REAR PANEL



DVD/CD OUTPUT SECTION

1. RCA jack, Y component output
2. RCA jack, Left/Right Audio output, connect to external amplifier
3. coaxial output, connect to TV
4. RCA jack, Video output, connect to TV
5. S-Video jack, connect to TV
6. The fiber optical output, connect to TV
7. RCA jack, V component output
8. RCA jack, U component output
9. SPEAKER output, low & high impedance
10. Voltage selector: 110V 60Hz/220V 50Hz (under the bottom)
11. FUSE.
12. AC INPUT.

EXAMPLE OF POSSIBLE CONNECTIONS

